



RNC 155 2019\*  
148 CFM @ 0.3 (75) IN. W.G. (PA)

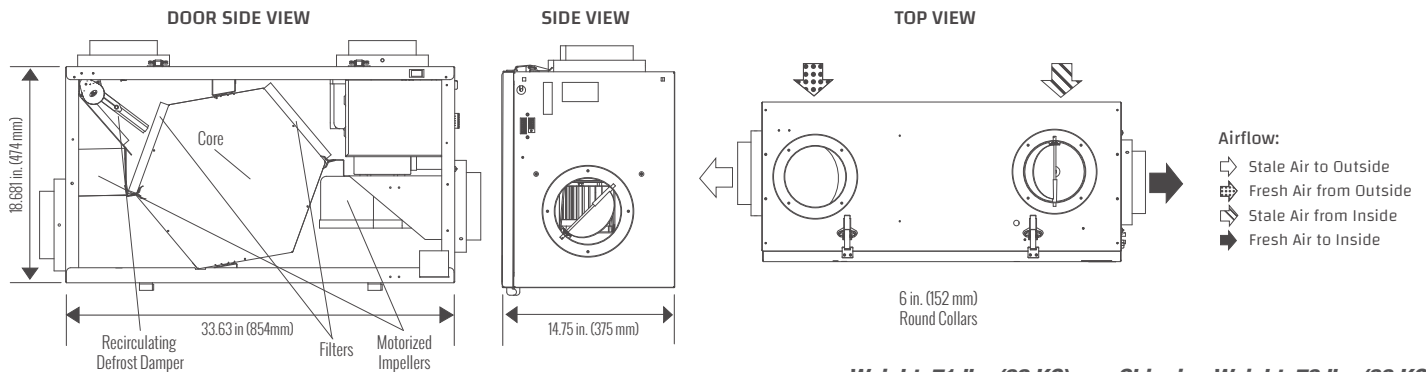
**DOOR PORT BALANCING & 3 SELECT HIGH-SPEED SETTINGS. FEATURING OUR PATENTED HEX CORE**

- High Efficiency Hex Core
- Door Port Balancing & Adjustable Dampers
- Outstanding Cold Weather Performance
- Energy Star: This product earned the ENERGY STAR® by meeting strict energy efficiency guidelines set by Natural Resources Canada and the US EPA. It meets ENERGY STAR® requirements only when used in Canada

\*2019 denotes Energy Star certification, not manufacture date.

NOTE: Front clearance of 25 in. (635 mm) is recommended for servicing unit.  
All ducts use 6 in. (152 mm) round collars.  
Balancing dampers are located in all air streams.  
All units conform to CSA and UL standards.

**DIMENSIONS**



**Weight: 71 lbs (32 KG) • Shipping Weight: 73 lbs (33 KG)**

**FEATURES**

**THERMALLY CONDUCTIVE HEX CORE**

Counter-flow heat recovery core transfers heat between two airstreams. It is easily removed for cleaning or service.

**MOTORS AND BLOWERS**

Each airstream has one centrifugal blower driven by a common PSC motor, with multiple fan speed operations.

**MERV 6 FILTERS**

Washable air filters in exhaust and supply airstreams.  
MERV 13 Upgrade: 65-195-6R.

**MOUNTING**

Four threaded inserts at corners of the cabinet designed to accept the "S" hooks and hanging straps supplied with the unit

**DEFROST**

Intelligent recirculating damper defrost system.

**CASE**

22 gauge prepainted galvanized steel for superior corrosion resistance, insulated to prevent exterior condensation. Drain connections 2 - 1/2 in. (12 mm) OD. Balancing ports are located on door.

**INSTALLER SELECTABLE HIGH SPEED SETTINGS**

Adjustable DIP switches are located on the circuit board, Hi3 is the factory setting. Refer to the installation manual for adjustment instructions.

**ELECTRONICS**

The optional control can be wall mounted in a central location of the home. 3 wire 20 gauge (min.) 100 ft length (max.).



## SPECIFICATIONS

<b>MODEL:</b>	<b>RNC 155 2019*</b>
<b>VOLTAGE:</b>	120 V
<b>FREQUENCY:</b>	60 Hz
<b>WATTS @ 64 CFM (30 L/S):</b>	72 W
<b>CURRENT:</b>	1.4 A
<b>AIRFLOW @ 0.3:</b>	148 CFM
<b>WEIGHT:</b>	71 lbs / 32 kg
<b>DRAIN:</b>	Yes
<b>MCA:</b>	2.0 A
<b>MOP:</b>	15 A
<b>WARRANTY:</b>	Units carry a lifetime warranty on the HRV core and a 5 year replacement parts warranty.



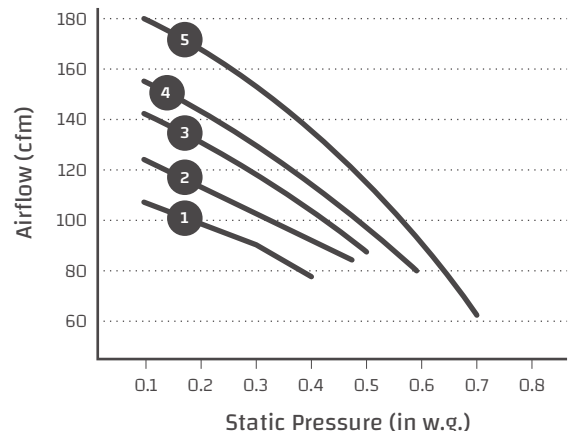
## PERFORMANCE

IN. W.G. (PA)	0.1 (25) CFM (L/s)	0.2 (50) CFM (L/s)	0.3 (75) CFM (L/s)	0.4 (100) CFM (L/s)	0.5 (125) CFM (L/s)
<b>Net Supply Airflow</b>	170 (80)	159 (75)	148 (70)	138 (65)	123 (58)
<b>Gross Supply Airflow</b>	180 (85)	167 (79)	157 (74)	146 (69)	131 (62)
<b>Gross Exhaust Airflow</b>	186 (88)	172 (81)	157 (74)	133 (63)	83 (39)

**\*Sensible Efficiency (ASE)**  
@ 59 CFM (28 L/s)      32°F (0°C)      85%

**Sensible Efficiency (SRE)**  
@ 64 CFM (30 L/s)      32°F (0°C)      75%

**Sensible Efficiency (SRE)**  
@ 68 CFM (32 L/s)      -13°F (-25°C)      70%



\* Not an HVI certified data point